

## PM-2icx Power Monitor - Twin Fan

**PM-icx** unit is our improved version of our Patented fan power monitor for use in the commercial catering section to meet BS6173:2001.

This product is available in a number of versions, from 1 to 4 fans and 10 to 20 Amp FLC single and three phase.

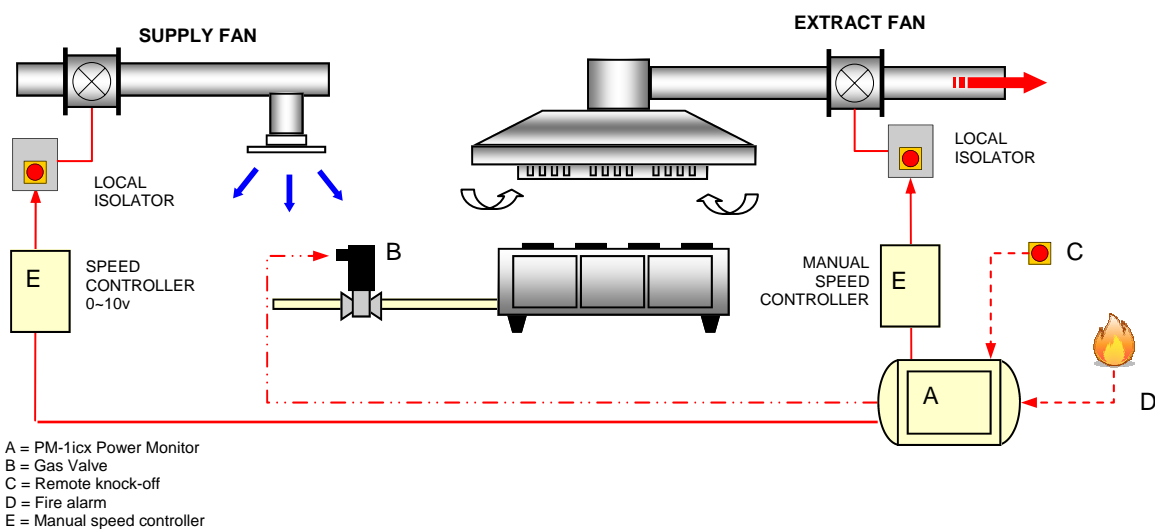


| Model Type | Model          | Description              |
|------------|----------------|--------------------------|
|            | <b>PM-2icx</b> | Power Monitor - twin fan |

| Technical Data            |  |  |
|---------------------------|--|--|
| Power supply              | 240Vac 50Hz (L,N,& E)                          |  |
| Number of fan channels    | Two  |  |
| Current rating of monitor | 10 or 20Amp                                    |  |
| Voltage range of fans     | Single phase (240Vac) or<br>three phase 415Vac |  |
| Gas valve output          | 240Vac (L,N & E)                               |  |
| Auxiliary output          | 240Vac (L,N & E) or volt-free                  |  |

### Typical Application - Supply & Extract Fan Canopy

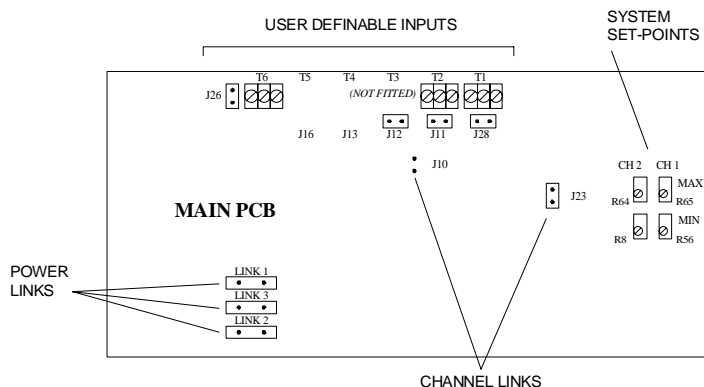


## Wiring Diagram

Terminals 1 to 18 are the smaller terminals (1.5 mm<sup>2</sup> cable) and are used for the inter-locking devices such as “fire alarm” and “remote knock-off units”.

Terminals 19 to 41 are the larger terminals (4 mm<sup>2</sup> cable) and are for the power connections for the fans, gas valve and power supply to the unit.

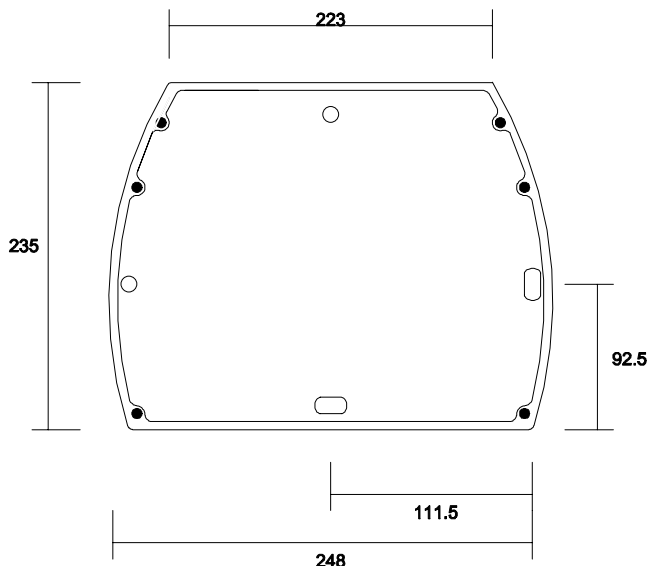
The terminals are of the rising clamp type with protection.



## Fitting Instructions

The **PM-icx** unit has four (4) mounting holes which can be used (as shown)

*Note: Ensure that the enclosure is mounted on a clean and level surface away from the direct cooking area or surfaces.*



## Ancillary Products

### Remote Knock-off Buttons



RKPB-01 Knock-off

### Key Activation & Shrouds

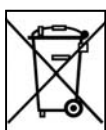


RKPB-02 Key  
RKPB-03 Key + Shroud

### Gas Valves



GV Valves  
1/2" to 2-1/2" BSP



This symbol on this product or the package indicates that disposal of this product after its lifecycle could harm the environment.  
DO NOT dispose of this product (or batteries if used) as unsorted municipal waste. It should be disposed by a specialised company for recycling.  
This product should be returned to your distributor or to a local recycling service.  
Respect the local environment rules.