

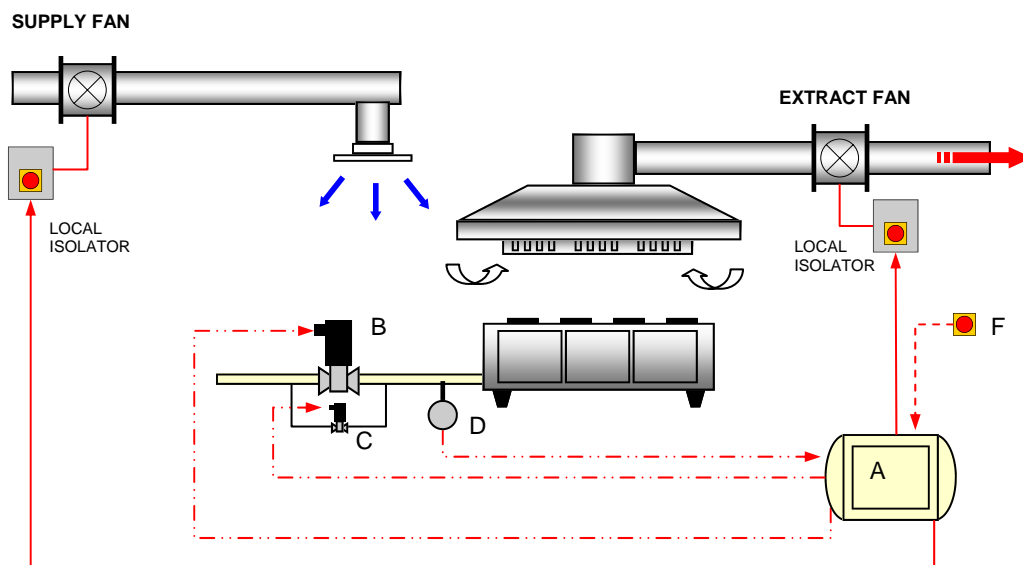
EXAMPLE APPLICATIONS

CaterSense –04 The example shown combines the unit's ability to control the starting and stopping of the two fans directly with fan power monitoring and over-current protection of each fan, along with gas pressure proving (pilot valve mode) of the appliance side of the installation.

The unit can accept a number of inputs of various types to provide external interlocking features, such as fire alarm and remote knock-off.

System equipment requirements Mode: 04-05

	Qty:	Model No:	Description:
A	1	CaterSense –04	Multi-function controller
B	1	CS-GSV-.....	Gas valve (size: 1/2" to 2" ex-stock)
C	1	CS-GSPV-01	Gas pilot valve 1/4"
D	1	CS-GPS-01	Gas pressure sensor
E	1	CS-GVJB-01	Gas valve / pressure sensor junction box
F	1	KO-PB	Remote knock-off button



CS-APP-04-05