

CS-SAT-01 Duct Temperature Sensor CS-OAT-01 Outside Air Temperature Sensor CS-PSS-01 Pipe Strap-on Temperature Sensor

CaterSense® - Temperature sensor is used in conjunction with the 03 & 04 range of controllers to monitor the temperature of the area in which it is mounted. This is either for system demand applications, tempered supply air control, or frost protection.

The transmitter has 1 x 0~10v analogue output which is linear in respect of the range of detection. The range of detection is selectable using the jumper links internal to the device.



Model Type	Model	Description
	CS-SAT-01	Duct temperature sensor
	CS-OAT-01	Outside air temperature sensor
	CS-PSS-01	Pipework strap-on temperature sensor
Technical Data	Power supply	24Vac / dc
Range	0-50, 0-100, -50-50, -50-150	
Wiring connections	1	+24Vac / dc
	2	0 volt ac / dc
	3	0~10vdc (temperature output)
Op temp	-50 ~ +120 deg.C	
Rating	IP54 (cable entry down)	



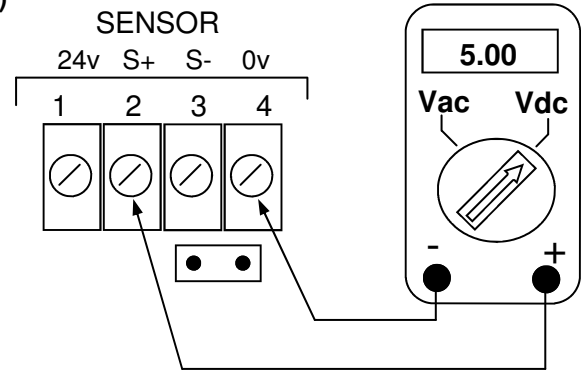
This symbol on this product or the package indicates that disposal of this product after its lifecycle could harm the environment.
DO NOT dispose of this product (or batteries if used) as unsorted municipal waste. It should be disposed by a specialised company for recycling.
This product should be returned to your distributor or to a local recycling service.
Respect the local environment rules.

Wiring details

Temperature to Voltage Table (CS-SAT-01 & CS-PSS-01)

(Set sensor range to 0-100)

Voltage Vdc	Temperature °C	Voltage Vdc	Temperature °C
0.50	5.00	5.50	55.00
1.00	10.00	6.00	60.00
1.50	15.00	6.50	65.00
2.00	20.00	7.00	70.00
2.50	25.00	7.50	75.00
3.00	30.00	8.00	80.00
3.50	35.00	8.50	85.00
4.00	40.00	9.00	90.00
4.50	45.00	9.50	95.00
5.00	50.00	10.00	100.00



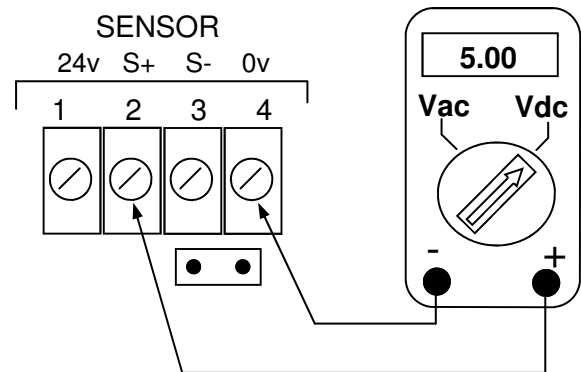
OR JUST TAKE VOLTAGE READING AND TIMES BY 10

Example above: 5volts x 10 = 50 °C

Temperature to Voltage Table (CS-OAT-01)

(Set sensor range to 0-50)

Voltage Vdc	Temperature °C	Voltage Vdc	Temperature °C
0.50	2.50	5.50	27.50
1.00	5.00	6.00	30.00
1.50	7.50	6.50	32.50
2.00	10.00	7.00	35.00
2.50	12.50	7.50	37.50
3.00	15.00	8.00	40.00
3.50	17.50	8.50	42.50
4.00	20.00	9.00	45.00
4.50	22.50	9.50	47.50
5.00	25.00	10.00	50.00

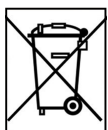


OR JUST TAKE VOLTAGE READING AND TIMES BY 5

Example above: 5volts x 5 = 25 °C

Range Setting Table

S2	S1	Range
OFF	ON	0 / 50
ON	ON	0 / 100
ON	OFF	-50 / 50
OFF	OFF	-50 / 150



This symbol on this product or the package indicates that disposal of this product after its lifecycle could harm the environment.
DO NOT dispose of this product (or batteries if used) as unsorted municipal waste. It should be disposed by a specialised company for recycling.
This product should be returned to your distributor or to a local recycling service.
Respect the local environment rules.