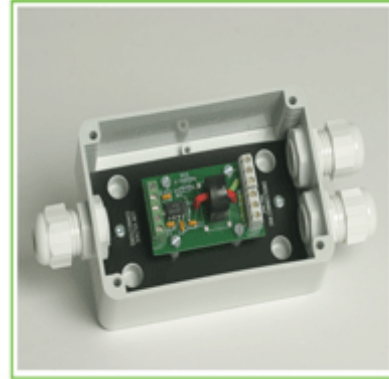


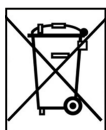
CS-RCT-xx Remote Current Sensor

CaterSense® - The CS-RCT-xx range of current sensors is used in conjunction with the CaterSense range of controllers to monitor the running current of the fans as a means of proving operation.

The transmitter has 1 x 0~10v analogue outputs which is linear in respect of the range of detection.

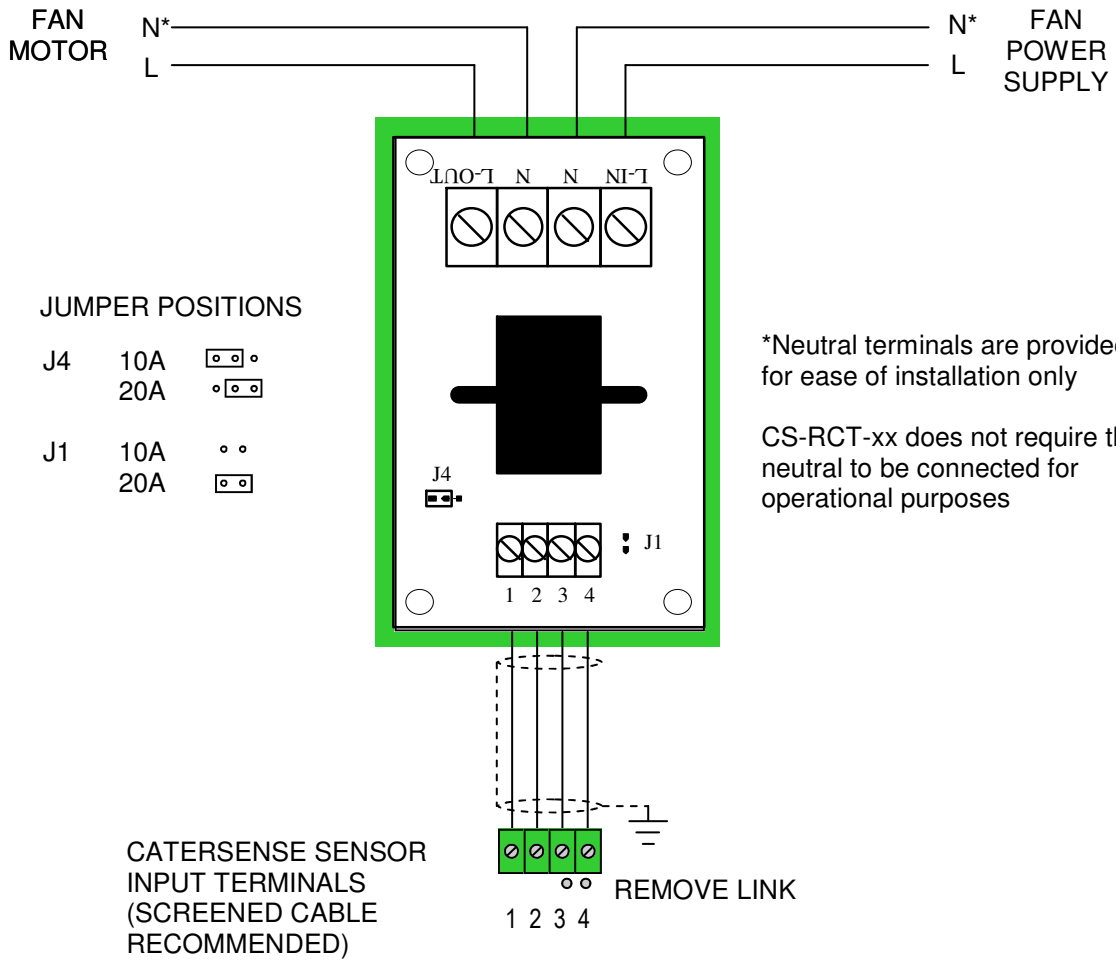


Model Type	Model	Description
	CS-RCT-01	Boxed remote current sensor (0~10A)
	CS-RCT-02	Remote current sensor (PCB only, 0~10A)
	CS-RCT-03	Boxed remote current sensor (0~10A) with insulated connections for three phases
	CS-RCT-xx-20A	As above with 0~20A range
		<i>Other ranges available - please contact us</i>
Technical Data	Power supply	24Vdc from CaterSense
Wiring connections	1	+12Vdc power supply
	2	S+ 0~10Vdc positive terminal
	3	S- 0~10Vdc negative terminal
	4	-12Vdc power supply
	L-IN	Monitored phase input
	L-OUT	Monitored phase output
	N (2 terminals)	Neutral connection (not monitored)
Connection	Screw terminals, rising clamp	Power terminals 2.5mm ² Control terminals 1.5mm ²
Op temp	-40 ~ +105 deg.C	
Rating	IP56 / IP00 (CS-RCT-02)	
Dimensions	CS-RCT-01	110mm (W) x 150mm (H) x 70mm (D)
	CS-RCT-02	42mm (W) x 73mm (H) x 25mm (D)
	CS-RCT-03	140mm (W) x 190mm (H) x 70mm (D)

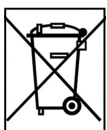
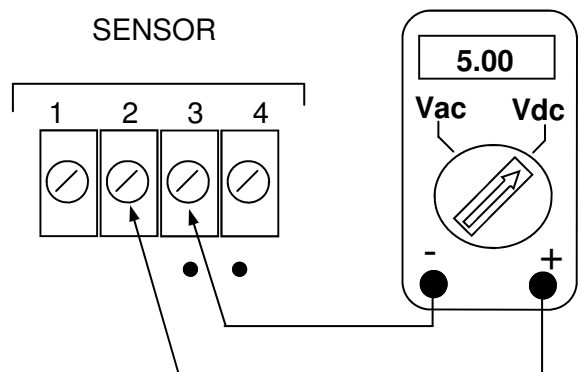


This symbol on this product or the package indicates that disposal of this product after its lifecycle could harm the environment.
DO NOT dispose of this product (or batteries if used) as unsorted municipal waste. It should be disposed by a specialised company for recycling.
This product should be returned to your distributor or to a local recycling service.
Respect the local environment rules.

Wiring details



The current reading from the CS-RCT-xx can be measured as a 0-10Vdc output using a multimeter as shown



This symbol on this product or the package indicates that disposal of this product after its lifecycle could harm the environment. DO NOT dispose of this product (or batteries if used) as unsorted municipal waste. It should be disposed by a specialised company for recycling. This product should be returned to your distributor or to a local recycling service. Respect the local environment rules.