

## CaterSense - 02 Controller - Gas Pressure Proving (optional single fan)

**CaterSense 02** unit is our standalone gas pressure proving system which can be used in any catering application. It can be connected into an existing interlock to provide GPP or you can use its second sensor input to monitor the canopy extract fan to meet BS6173:2001.

This product has a number of available inputs, one is dedicated to the gas pressure sensor and the second can be used to sense a fan from 1 to 100Amp FLC single or three phase via a remote power monitor head or CO2 levels via our carbon dioxide sensor,



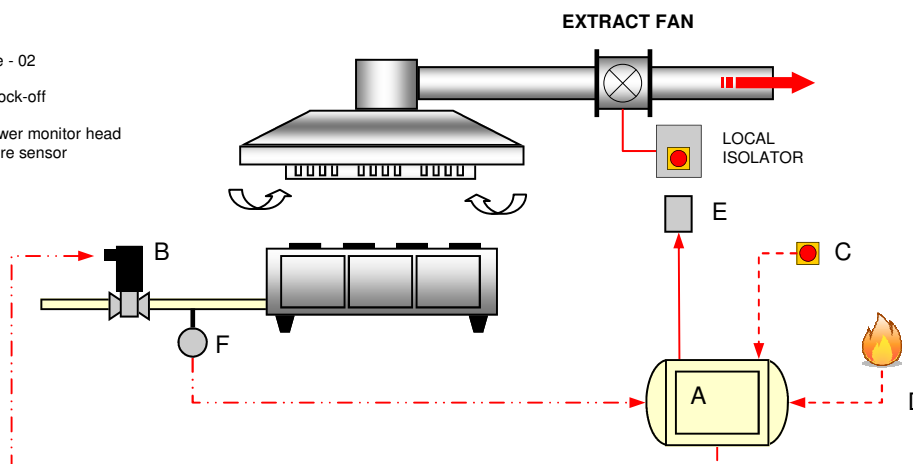
Model Type	Model	Description
	<b>CaterSense - 02</b>	Controller - GPP + optional single fan

Technical Data		
Power supply	240Vac	50Hz (L,N,& E)
Number of sensor channels	Two	
Current rating of monitor	1 to 100Amp	(Remote head sensor)
Voltage range of fans	Single phase (240Vac) or three phase 415Vac	
Gas valve output	240Vac	(L,N & E)
Fire alarm input	Volt-free	to open on alarm
Remote knock-off	Volt-free	to open on activation

### Typical Application - Extract Fan Canopy

- A = CaterSense - 02
- B = Gas Valve
- C = Remote knock-off
- D = Fire alarm
- E = Remote power monitor head
- F = Gas pressure sensor



## Wiring Diagram

The CaterSense system has two sets of terminals all mounted along the top edge of the main PCB circuit board.

Terminals 1 to 22 are the smaller terminals (1.5 mm<sup>2</sup> cable) and are used for the sensors, inter-locking devices, remote speed and on/off control.

Terminals 23 to 34 are the larger terminals (4 mm<sup>2</sup> cable) and are for the power connections for the fans, gas valve and power supply to the unit.

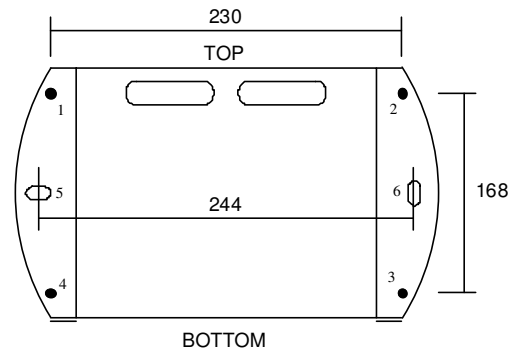
The terminals are of the rising clamp type protection.



## Fitting Instructions

The **CaterSense - 02** unit has six (6) mounting holes which can be used (as shown)

*Note: Ensure that the enclosure is mounted on a clean and level surface away from the direct cooking area or surfaces.*



## Ancillary Products

### Remote Knock-off Buttons



- RKPB-01 Knock-off
- RKPB-02 Key
- RKPB-03 Key + Shroud

### Remote Sensors



CS-GPS-01



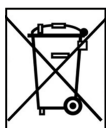
CS-RCT-01

CS-RCT-02

### Gas Valves



GV Valves  
1/2" to 2-1/2" BSP



This symbol on this product or the package indicates that disposal of this product after its lifecycle could harm the environment. DO NOT dispose of this product (or batteries if used) as unsorted municipal waste. It should be disposed by a specialised company for recycling. This product should be returned to your distributor or to a local recycling service. Respect the local environment rules.