

## GSV-xx Gas Solenoid Valve

A range of normally-closed gas solenoid valves used for gas shut-off for safety or control applications. The range is suitable for various gases, including natural gas, propane, and LPG.



Model Type	Model	Description
<i>Other sizes available - please contact us</i>	<b>GSV-15</b>	Gas solenoid valve (1/2" BSP connection)
	<b>GSV-20</b>	Gas solenoid valve (3/4" BSP connection)
	<b>GSV-25</b>	Gas solenoid valve (1" BSP connection)
	<b>GSV-32</b>	Gas solenoid valve (1 1/4" BSP connection)
	<b>GSV-40</b>	Gas solenoid valve (1 1/2" BSP connection)
	<b>GSV-50</b>	Gas solenoid valve (2" BSP connection)

### Technical Data

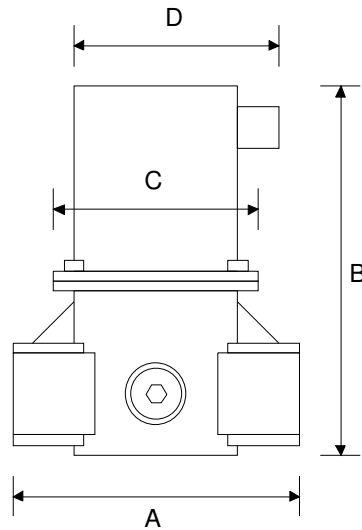
<b>Power supply</b>	240V (+10% -15%) 50-60 Hz
<b>Power consumption</b>	CS-GSV-15/20/25: 25VA CS-GSV-32/40/50: 50VA
<b>Opening time</b>	< 1 second
<b>Closing time</b>	< 1 second
<b>Max. no. of operations</b>	20 per minute
<b>Ambient temperature</b>	-15°C to 60°C
<b>Coil temperature</b>	approx. 70°C
<b>Cable entry</b>	PG11 gland
<b>Rating</b>	IP54
<b>Max. pressure</b>	200 mbar
<b>Approvals</b>	Class "A" BSEN161:2002 Approved British Gas & European Standards 90/396/EEC - 73/23/EEC - 89/336/EEC Certificate CE EC-87/07/009



This symbol on this product or the package indicates that disposal of this product after its lifecycle could harm the environment.  
DO NOT dispose of this product (or batteries if used) as unsorted municipal waste. It should be disposed by a specialised company for recycling.  
This product should be returned to your distributor or to a local recycling service.  
Respect the local environment rules.

**Dimensions***All dimensions in mm*

Model	A	B	C	D
<b>GSV-15</b>	72	112	52	85
<b>GSV-20</b>	86	156	70	96
<b>GSV-25</b>	100	156	75	96
<b>GSV-32</b>	150	214	110	118
<b>GSV-40</b>	150	214	110	118
<b>GSV-50</b>	170	220	135	123



This symbol on this product or the package indicates that disposal of this product after its lifecycle could harm the environment.  
 DO NOT dispose of this product (or batteries if used) as unsorted municipal waste. It should be disposed by a specialised company for recycling.  
 This product should be returned to your distributor or to a local recycling service.  
 Respect the local environment rules.